

LED Solar Powered Marine Lanterns

AH-LS/C-4S



This LED Marine Lanterns is completely self-contained lantern. Four (4) solar panels are integrated into the assembly and mounted to collect sunlight at all angles. And all solar panel vertical angle is adjustable ensure it could be used in different area.

ON/OFF button located interface, so there is no need to open the light, user could turn on/off light easily.



Compliance

- IALA E-200-1

Features

Electrical

- Based on LED technology, and its color complies to IALA Recommendations E-200-1.
- LED technology reduces maintenance time & costs

Physical

- PC housing, UV resistance, shockproof and corrosion proof.
- Bird deterrent spike
- Powder coated die casting aluminum base
- 4-side mono crystalline silicon solar panel, conversion efficiency is better than poly crystalline silicon
- 4-side solar panel vertical angle adjustable
- ON/OFF button interface

System design

- Solar panel as photocell for day/night operation(dusk to dawn)
- Equipped with rotary switches for adjust 256 kinds of flashing rate comply with IALA

Optional

- User-adjustable operation mode to toggle between dusk-till-dawn & 24hr operation
- External charger
- Wireless remote control
- GSM Monitoring
- RS232 485 port
- GPS Sync flashing

Application

- AH-LS/C-4SSolar Marine Lantern is used on buoy, light house and any other off shore site for marine/river safe navigation.



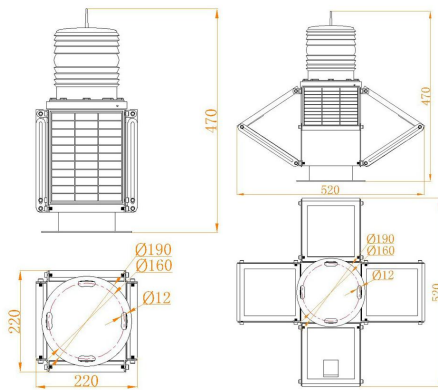
APPLICATION



LED Solar Powered Marine Lanterns

AH-LS/C-4S

Dimension(mm)



AH-LS/C-4S on buoy

SPECIFICATIONS

AH-LS/C-4S LED Solar Powered Marine Lanterns

Light Characteristics

Light Source	LED
Available Colors	Red, Green, Yellow, White, Blue
Visible Range(NM)	4-6nm (AT@0.74)
Horizontal Output(degrees)	360
Vertical Divergence(degrees)	7
Flash Characteristics	Adjustable 256 IALA light characteristics
Operation Mode	Dusk-to-dawn Automatically (Built-in photocell)
LED Life Experience(hours)	>100,000

Electrical Characteristics

Operating Voltage	12Vdc
Circuit Protection	Integrated

Solar Characteristics

Solar Module Type	Mono crystalline Silicon
Output(watts)	24
Charging Regulation	Microprocessor controlled

Battery Characteristics

Battery type	Valve-Regulated Lead Acid Battery
Battery Capacity (Ah)	Depends on different visible range
Nominal Voltage (V)	12
Battery Service Life	Average 3 years

Physical Characteristics

Body Material	UV protected Polycarbonate
Base Material	Powder-coated Die-casting aluminum
Mounting(mm)	160×160×Φ12
Dimension(mm)	220×220×470
Weight(kg)	10
Product Life Expectancy	Average 5 years

Environmental Factors

Humidity	0~100%
Wind Speed	80m/s
Waterproof	IP68

Compliance

IALA	Signal colors compliant to IALA E-200-1
------	---

Options Available

Charging port
Wireless Remote Control
GSM Monitoring
RS232 485 port
GPS Sync flashing